

# PCS Series 3-Phase

# 0.2kW

## ■ SPECIFICATION

### ■ MOTOR

Output (kW)	Model Name	Poles	Voltage (V)	Freq. (Hz)	Rated Load			Duty	Degrees of protection	Insulation Classification	Protective Cooling System
					Current (A)	Speed (r/min)	Efficiency (%)				
0.2	PCS□□-□-□-□M□020R4□	4	220/380	60	1.10/0.60	1715	71.5	CONT.	IP55	F	Totally Enclosed Fan-Cooled
	PCS□□-□-□-□M□020W6□	4	200	50	1.10	1415	71.7				
			200/220	60	1.00/1.00	1690/1715	72.8/73.2				
	PCS□□-□-□-□M□020X6□	4	380/400	50	0.60/0.60	1410/1420	71.0/67.2				
400/440			60	0.50/0.50	1700/1720	70.8/73.4					

- The Brake Geared Motor is divided into 2 models: one is a non-water proof product with IP40 while the other is a waterproof product with IP55.
- The Models with IP40 and IP55 have the same electric characteristics.

### ■ GEARED MOTOR – 50Hz

Frame No.	22											28					
Reduction gear ratio	5	7.5	10	12.5	15	20	25	30	40	50	60	80	100	120	160	★200	★240
Rotation speed (r/min)	300	200	150	120	100	75	60	50	37.5	30	25	18.8	15	12.5	9.4	7.5	6.3
Allowable torque	kgf · m	0.56	0.83	1.10	1.41	1.70	2.29	2.79	3.40	4.50	5.60	6.79	8.79	11.1	13.3	17.4	19.7
	N · m	5.49	8.15	10.8	13.8	16.7	22.5	27.4	33.3	44.1	54.9	66.6	86.2	109	130	171	193
Allowable O.H.L	kgf	160	175	190	205	220	240	260	270	290	310	310	320	320	320	320	320
	N	1568	1715	1862	2009	2156	2352	2548	2646	2842	3038	3038	3136	3136	3136	3136	3136

### ■ GEARED MOTOR – 60Hz

Frame No.	22											28					
Reduction gear ratio	5	7.5	10	12.5	15	20	25	30	40	50	60	80	100	120	160	★200	★240
Rotation speed (r/min)	360	240	180	144	120	90	72	60	45	36	30	22.5	18	15	11.3	9	7.5
Allowable torque	kgf · m	0.47	0.70	0.92	1.16	1.40	1.90	2.29	2.79	3.79	4.70	5.70	7.29	9.29	11.1	14.5	16.4
	N · m	4.61	6.82	9.02	11.4	13.7	18.6	22.5	27.4	37.2	46.1	55.9	71.5	91.1	109	142	161
Allowable O.H.L	kgf	160	175	190	205	220	240	260	270	290	310	310	320	320	320	320	320
	N	1568	1715	1862	2009	2156	2352	2548	2646	2842	3038	3038	3136	3136	3136	3136	3136

- Note) • Permissible Torque is limited for products with a mark "★" of reduction gear ratio  
 • Permissible O.H.L (allowable overhung load) is based on the central part of the outlet length for output shaft  
 • Rotation direction of color ■ is opposite of other color □  
 • Self Locking is unavailable.

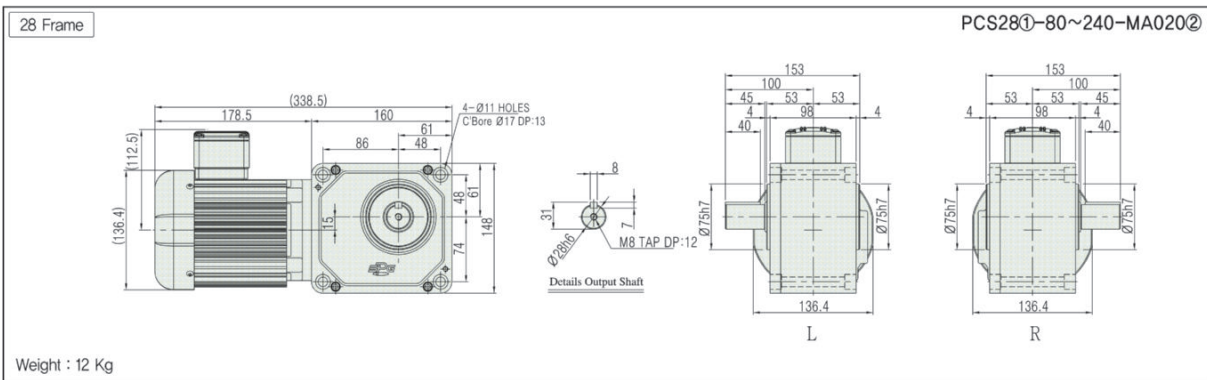
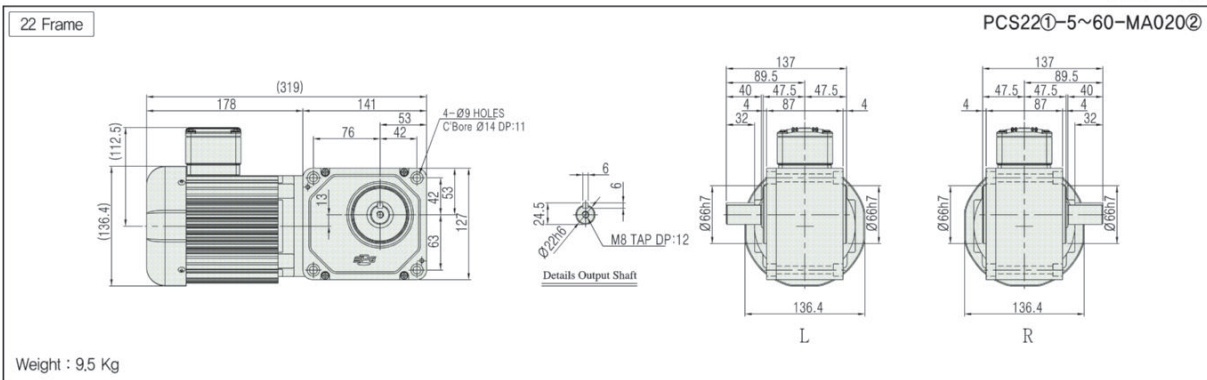
Model Name Coding  
 □ 36Page

Specification for output shaft  
 □ 70Page

Technological Data  
 □ 101Page

## PCS TYPE DIMENSIONS [ Lead wire Box Type ]

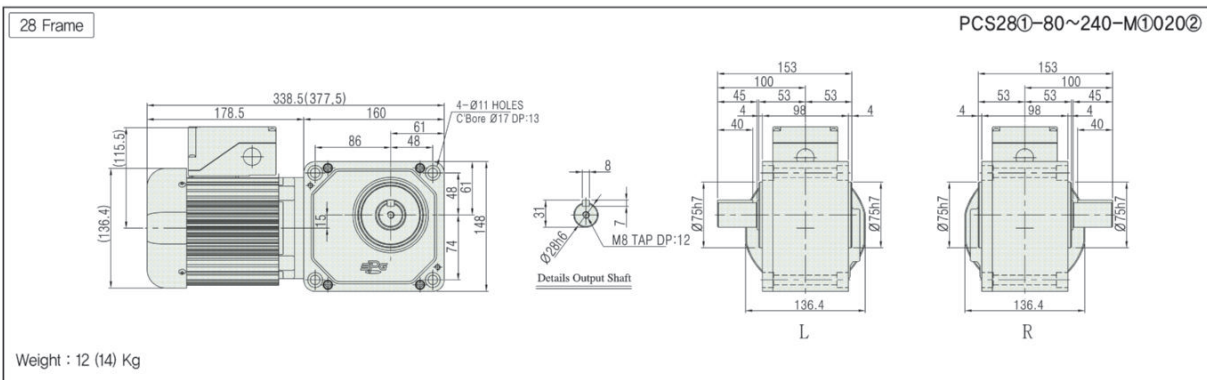
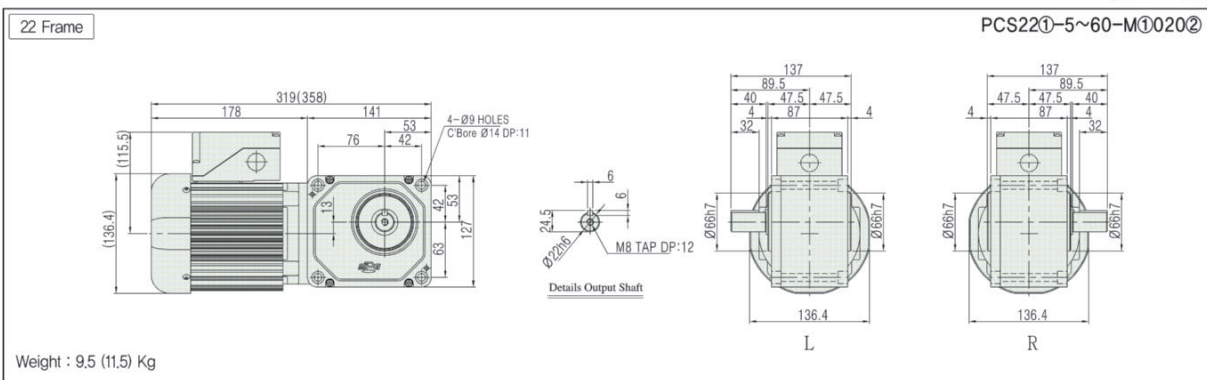
UNIT = mm



## PCS TYPE DIMENSIONS [ Terminal Box Type ]

- Note) • Dimensions for IP40 model and IP55 model are the same.  
 • The brake-attached model is applied to the Terminal Box Type for basic features, but does not apply to the lead wire box type.  
 • ( ) dimension and weight in dimensions is for brake attached model specification

UNIT = mm



- **Model type** ① : Motor option (B, C, D)
- ② : Power (Voltage & Frequency)

Model Name Coding  
 36Page

Specification for output shaft  
 70Page

Technological Data  
 101Page